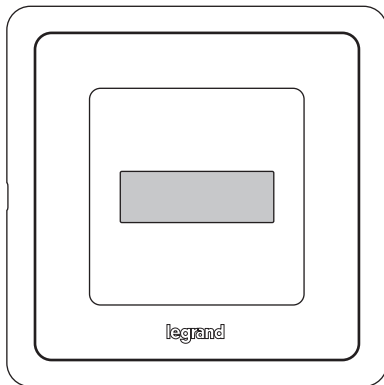
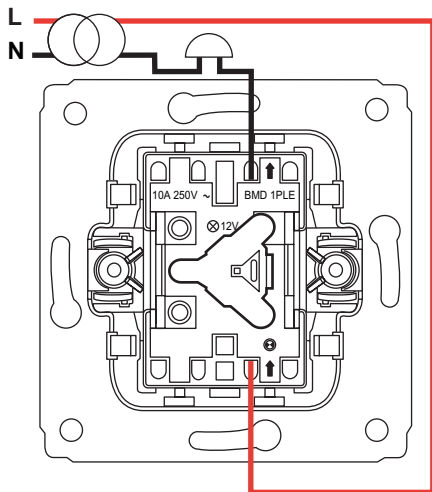
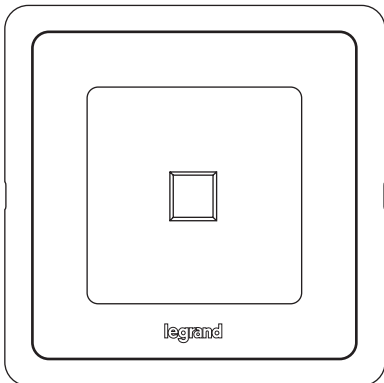
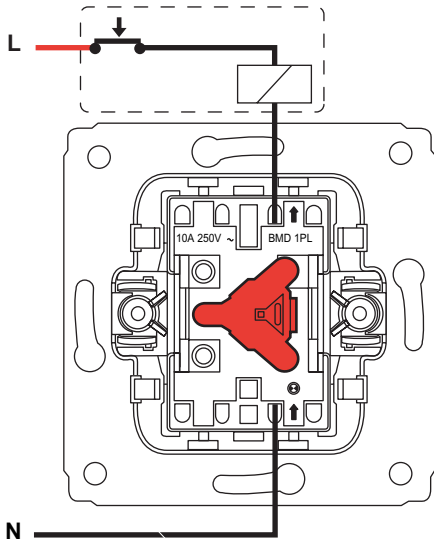


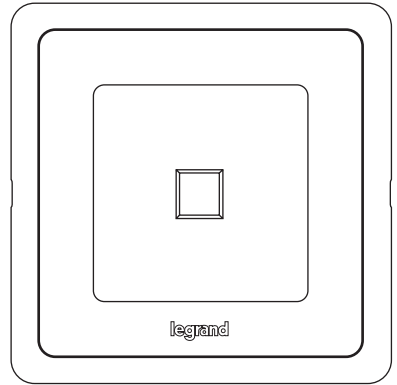
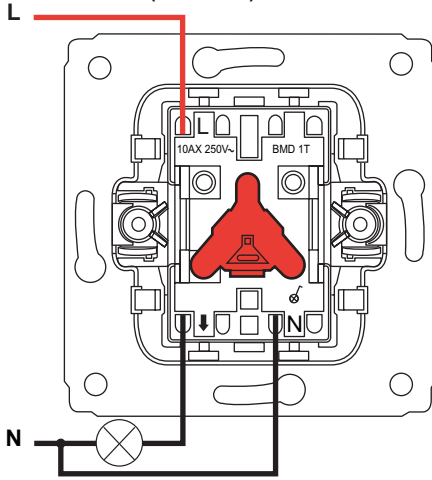
773 X12 - 10 A - 12 V ~ ( BMD 1PLE )



773 X13 - 10 A - 250 V ~ ( BMD 1PL )



773 X10 - 10 AX - 250 V~ ( BMD 1T )



773 X26 - 10 AX - 250 V~ ( BMD 6L )

